

Stainless Steel-Levelling feet

with fixing lug

SPECIFICATION

Type (Base plate)

- Type **B1**: matt shot-blasted, rubber inlaid, black

Version of threaded stem

- Version **S**: without nut, external hexagon at the bottom
- Version **SK**: with nut, external hexagon at the bottom
- Version **T**: without nut, wrench flat at the bottom, "not dipping" version
- Version **TK**: with nut, wrench flat at the bottom, "not dipping" version
- Version **U**: without nut, hexagon socket at the top, wrench flat at the bottom
- Version **UK**: with nut, hexagon socket at the top, wrench flat at the bottom
- Version **V**: without nut, external hexagon at the top, wrench flat at the bottom
- Version **VK**: with nut, external hexagon at the top, wrench flat at the bottom
- Version **W**: with adjustable sleeve, wrench flat at the bottom
- Version **X**: with female thread, external hexagon

Base plate / lug, sheet metal
Stainless Steel AISI 304

Threaded stem
Stainless Steel AISI 303

Hexagon nut ISO 4032
Stainless Steel AISI 304

Rubber underlay, inlaid
black, Perbunan® (NBR) 80±5 Shore A

INFORMATION

Stainless Steel-Levelling feet GN 33 will be delivered mounted and are not removable.

TECHNICAL INFORMATION

- Stainless Steel characteristics (see page A26)
- Elastomer characteristics (see page A32)



GN 33

LOAD RATING OF STAINLESS STEEL-LEVELLING FEET

Information

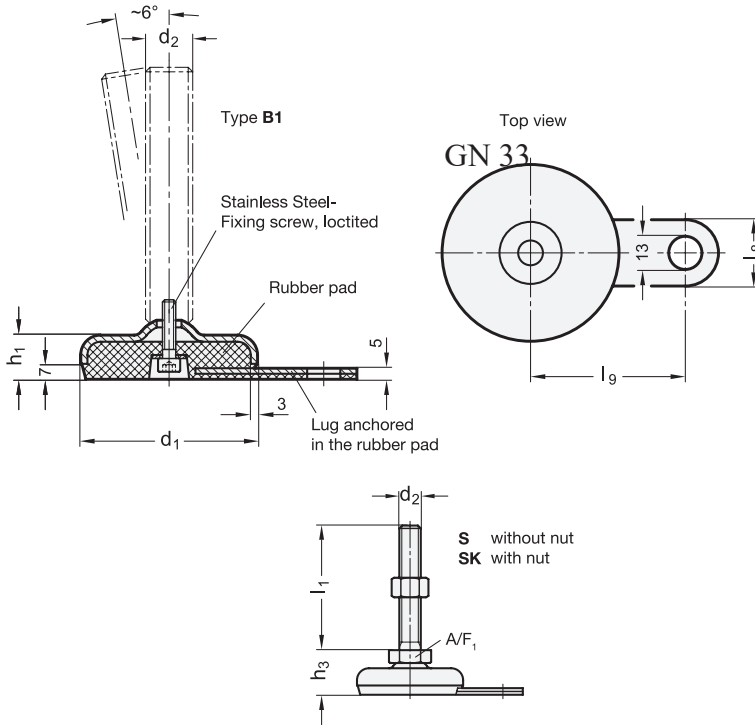
The static load bearing capacity given in the table rests on a test series in which the load has been applied perpendicular to the base plate. For the values given in the table, the strain relief may result in minor deformations of the base plate.

Bending and buckling stress which often occurs in practice results in a lower load bearing capacity of the adjustment spindle and may have to be taken into account.

Also, the spindle strength is assumed to be $\geq 500 \text{ N/mm}^2$.

The details given on strength are nonbinding guide values without any liability. In general, they do not constitute a warranty of quality.

The user must determine from case to case if a product is suitable for the intended purpose or use. Environmental factors may influence the stated values.



* Complete with version of the Levelling feet (External hexagon at the bottom)

S without nut
SK with nut

GN 33-S/SK

STAINLESS STEEL

Description	d1	d2	l1	h1	h3	l8	l9	A/F ₁	Static load in kN	⚖
GN 33-50-M8-40-B1-*	50	M 8	40	18	26	25	45	17	8	120
GN 33-50-M8-50-B1-*	50	M 8	50	18	26	25	45	17	8	140
GN 33-50-M8-63-B1-*	50	M 8	63	18	26	25	45	17	8	140
GN 33-50-M10-50-B1-*	50	M 10	50	18	26	25	45	17	14	150
GN 33-50-M10-60-B1-*	50	M 10	60	18	26	25	45	17	14	196
GN 33-50-M10-80-B1-*	50	M 10	80	18	26	25	45	17	14	206
GN 33-50-M10-100-B1-*	50	M 10	100	18	26	25	45	17	14	205
GN 33-50-M12-60-B1-*	50	M 12	60	18	26	25	45	17	20	160
GN 33-50-M12-80-B1-*	50	M 12	80	18	26	25	45	17	20	180
GN 33-50-M12-100-B1-*	50	M 12	100	18	26	25	45	17	20	200
GN 33-50-M12-125-B1-*	50	M 12	125	18	26	25	45	17	20	200
GN 33-60-M8-40-B1-*	60	M 8	40	19	27	25	50	17	8	286
GN 33-60-M8-50-B1-*	60	M 8	50	19	27	25	50	17	8	289
GN 33-60-M8-63-B1-*	60	M 8	63	19	27	25	50	17	8	293
GN 33-60-M10-50-B1-*	60	M 10	50	19	27	25	50	17	14	261
GN 33-60-M10-60-B1-*	60	M 10	60	19	27	25	50	17	14	300
GN 33-60-M10-80-B1-*	60	M 10	80	19	27	25	50	17	14	320
GN 33-60-M10-100-B1-*	60	M 10	100	19	27	25	50	17	14	320
GN 33-60-M12-60-B1-*	60	M 12	60	19	27	25	50	17	20	206
GN 33-60-M12-80-B1-*	60	M 12	80	19	27	25	50	17	20	331
GN 33-60-M12-100-B1-*	60	M 12	100	19	27	25	50	17	20	235
GN 33-60-M12-125-B1-*	60	M 12	125	19	27	25	50	17	20	260

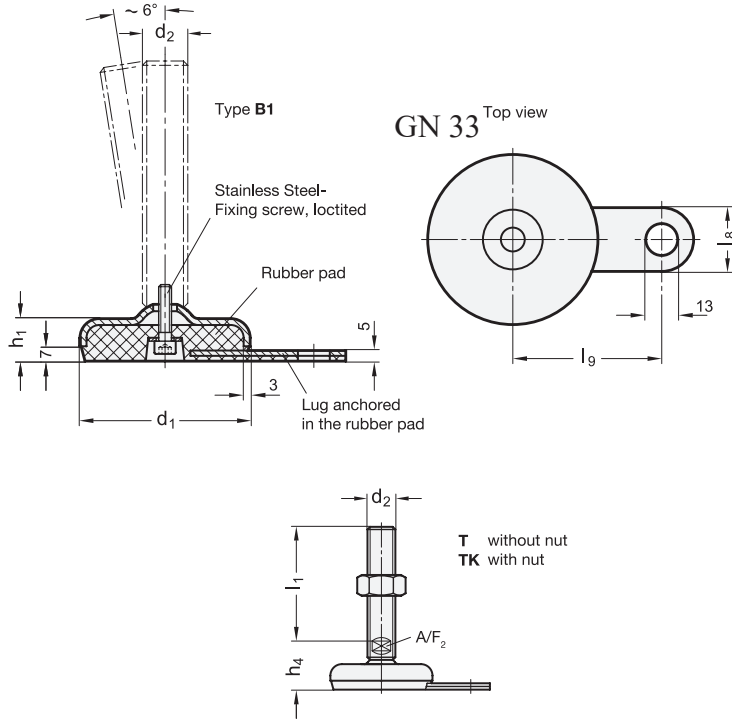
GN 33-S/SK

STAINLESS STEEL

Description	d1	d2	l1	h1	h3	l8	l9	A/F ₁	Static load in kN	⚖
GN 33-80-M8-40-B1-*	80	M 8	40	20	28	30	70	17	8	393
GN 33-80-M8-50-B1-*	80	M 8	50	20	28	30	70	17	8	406
GN 33-80-M8-63-B1-*	80	M 8	63	20	28	30	70	17	8	400
GN 33-80-M10-50-B1-*	80	M 10	50	20	28	30	70	17	14	320
GN 33-80-M10-60-B1-*	80	M 10	60	20	28	30	70	17	14	331
GN 33-80-M10-80-B1-*	80	M 10	80	20	28	30	70	17	14	350
GN 33-80-M10-100-B1-*	80	M 10	100	20	28	30	70	17	14	355
GN 33-80-M12-60-B1-*	80	M 12	60	20	28	30	70	17	19	345
GN 33-80-M12-80-B1-*	80	M 12	80	20	28	30	70	17	19	360
GN 33-80-M12-100-B1-*	80	M 12	100	20	28	30	70	17	19	340
GN 33-80-M12-125-B1-*	80	M 12	125	20	28	30	70	17	19	360
GN 33-100-M8-40-B1-*	100	M 8	40	21	29	30	80	17	8	557
GN 33-100-M8-50-B1-*	100	M 8	50	21	29	30	80	17	8	560
GN 33-100-M8-63-B1-*	100	M 8	63	21	29	30	80	17	8	564
GN 33-100-M10-50-B1-*	100	M 10	50	21	29	30	80	17	14	590
GN 33-100-M10-60-B1-*	100	M 10	60	21	29	30	80	17	14	594
GN 33-100-M10-80-B1-*	100	M 10	80	21	29	30	80	17	14	604
GN 33-100-M10-100-B1-*	100	M 10	100	21	29	30	80	17	14	615
GN 33-100-M12-60-B1-*	100	M 12	60	21	29	30	80	17	17	500
GN 33-100-M12-80-B1-*	100	M 12	80	21	29	30	80	17	17	623
GN 33-100-M12-100-B1-*	100	M 12	100	21	29	30	80	17	17	637
GN 33-100-M12-125-B1-*	100	M 12	125	21	29	30	80	17	17	650

Weight Version S





* Complete with version of the Levelling feet (Wrench flat at the bottom)

T without nut
TK with nut

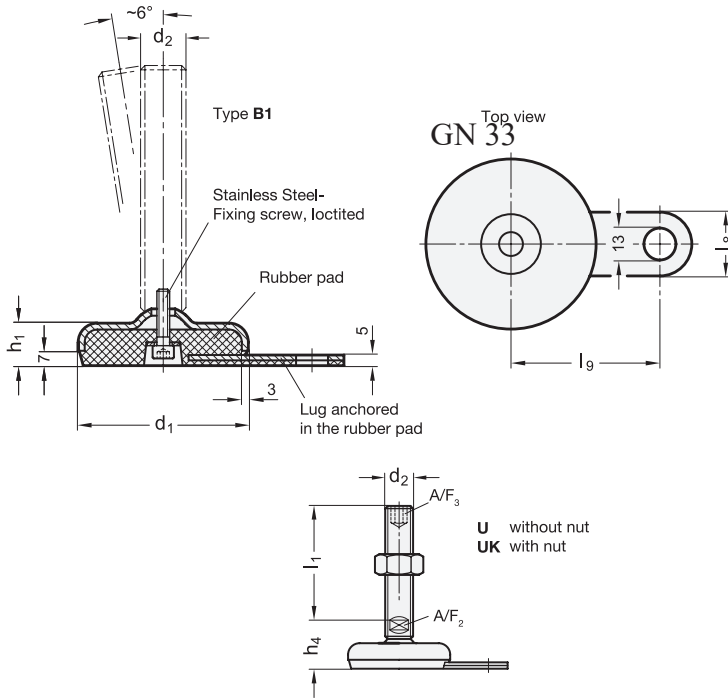
GN 33-T/TK		STAINLESS STEEL										
Description	d1	d2	l1	h1	h4	l8	l9	A/F ₂	Static load in kN			
GN 33-50-M16-75-B1-*	50	M 16	75	18	32	25	45	12	28	287		
GN 33-50-M16-100-B1-*	50	M 16	100	18	32	25	45	12	28	200		
GN 33-50-M16-125-B1-*	50	M 16	125	18	32	25	45	12	28	352		
GN 33-50-M16-150-B1-*	50	M 16	150	18	32	25	45	12	28	384		
GN 33-50-M16-200-B1-*	50	M 16	200	18	32	25	45	12	28	727		
GN 33-60-M16-75-B1-*	60	M 16	75	19	33	25	50	12	28	335		
GN 33-60-M16-100-B1-*	60	M 16	100	19	33	25	50	12	28	300		
GN 33-60-M16-125-B1-*	60	M 16	125	19	33	25	50	12	28	340		
GN 33-60-M16-150-B1-*	60	M 16	150	19	33	25	50	12	28	363		
GN 33-60-M16-200-B1-*	60	M 16	200	19	33	25	50	12	28	400		
GN 33-80-M16-75-B1-*	80	M 16	75	20	34	30	70	12	19	405		
GN 33-80-M16-100-B1-*	80	M 16	100	20	34	30	70	12	19	430		
GN 33-80-M16-125-B1-*	80	M 16	125	20	34	30	70	12	19	400		
GN 33-80-M16-150-B1-*	80	M 16	150	20	34	30	70	12	19	500		
GN 33-80-M16-200-B1-*	80	M 16	200	20	34	30	70	12	19	561		
GN 33-80-M20-75-B1-*	80	M 20	75	20	35	30	70	15	19	537		
GN 33-80-M20-100-B1-*	80	M 20	100	20	35	30	70	15	19	596		
GN 33-80-M20-125-B1-*	80	M 20	125	20	35	30	70	15	19	560		
GN 33-80-M20-150-B1-*	80	M 20	150	20	35	30	70	15	19	600		

GN 33-T/TK STAINLESS STEEL

Description	d1	d2	l1	h1	h4	l8	l9	A/F ₂	Static load in kN	
GN 33-80-M20-200-B1-*	80	M 20	200	20	35	30	70	15	19	770
GN 33-80-M24-100-B1-*	80	M 24	100	20	38	30	70	19	19	659
GN 33-80-M24-125-B1-*	80	M 24	125	20	38	30	70	19	19	739
GN 33-80-M24-150-B1-*	80	M 24	150	20	38	30	70	19	19	805
GN 33-80-M24-200-B1-*	80	M 24	200	20	38	30	70	19	19	951
GN 33-100-M16-75-B1-*	100	M 16	75	21	35	30	80	12	17	664
GN 33-100-M16-100-B1-*	100	M 16	100	21	35	30	80	12	17	620
GN 33-100-M16-125-B1-*	100	M 16	125	21	35	30	80	12	17	500
GN 33-100-M16-150-B1-*	100	M 16	150	21	35	30	80	12	17	650
GN 33-100-M16-200-B1-*	100	M 16	200	21	35	30	80	12	17	650
GN 33-100-M20-75-B1-*	100	M 20	75	21	36	30	80	15	17	701
GN 33-100-M20-100-B1-*	100	M 20	100	21	36	30	80	15	17	550
GN 33-100-M20-125-B1-*	100	M 20	125	21	36	30	80	15	17	660
GN 33-100-M20-150-B1-*	100	M 20	150	21	36	30	80	15	17	740
GN 33-100-M20-200-B1-*	100	M 20	200	21	36	30	80	15	17	900
GN 33-100-M24-100-B1-*	100	M 24	100	21	39	30	80	19	17	868
GN 33-100-M24-125-B1-*	100	M 24	125	21	39	30	80	19	17	948
GN 33-100-M24-150-B1-*	100	M 24	150	21	39	30	80	19	17	1014
GN 33-100-M24-200-B1-*	100	M 24	200	21	39	30	80	19	17	1030

Weight Version T

Levelling elements 11



* Complete with version of the Levelling feet (Hexagon socket at the top / Wrench at the bottom)

U without nut UK with nut

GN 33-U/UK STAINLESS STEEL

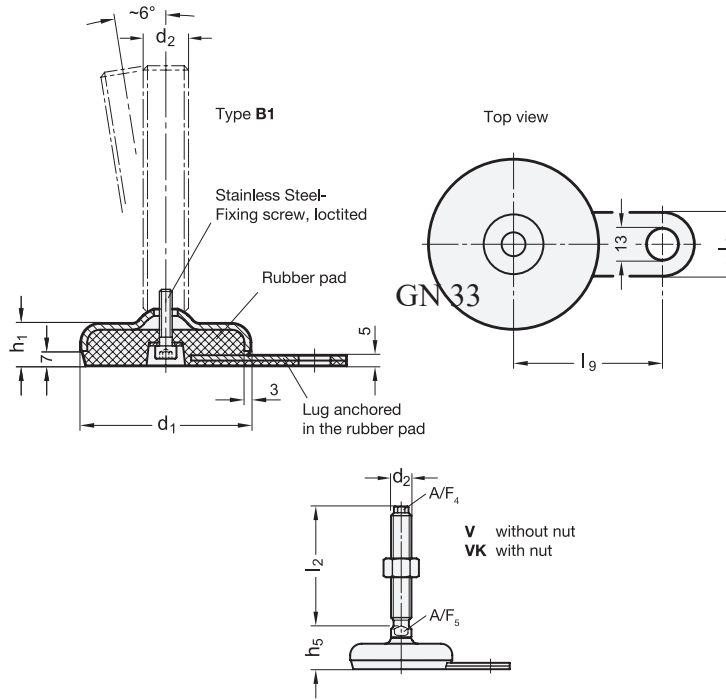
Description	d1	d2	l1	h1	h4	l8	l9	A/FA/F ₂	A/FA/F ₃	Static load in kN	⚖️
GN 33-50-M16-75-B1-*	50	M 16	75	18	32	25	45	12	8	28	213
GN 33-50-M16-100-B1-*	50	M 16	100	18	32	25	45	12	8	28	240
GN 33-50-M16-150-B1-*	50	M 16	150	18	32	25	45	12	8	28	277
GN 33-50-M16-200-B1-*	50	M 16	200	18	32	25	45	12	8	28	320
GN 33-60-M16-75-B1-*	60	M 16	75	19	33	25	50	12	8	28	260
GN 33-60-M16-100-B1-*	60	M 16	100	19	33	25	50	12	8	28	300
GN 33-60-M16-125-B1-*	60	M 16	125	19	33	25	50	12	8	28	320
GN 33-60-M16-150-B1-*	60	M 16	150	19	33	25	50	12	8	28	350
GN 33-60-M16-200-B1-*	60	M 16	200	19	33	25	50	12	8	28	420
GN 33-80-M16-75-B1-*	80	M 16	75	20	34	30	70	12	8	19	388
GN 33-80-M16-100-B1-*	80	M 16	100	20	34	30	70	12	8	19	420
GN 33-80-M16-125-B1-*	80	M 16	125	20	34	30	70	12	8	19	447
GN 33-80-M16-150-B1-*	80	M 16	150	20	34	30	70	12	8	19	487
GN 33-80-M16-200-B1-*	80	M 16	200	20	34	30	70	12	8	19	540
GN 33-80-M20-75-B1-*	80	M 20	75	20	35	30	70	15	10	19	440
GN 33-80-M20-100-B1-*	80	M 20	100	20	35	30	70	15	10	19	500
GN 33-80-M20-125-B1-*	80	M 20	125	20	35	30	70	15	10	19	550
GN 33-80-M20-150-B1-*	80	M 20	150	20	35	30	70	15	10	19	600

GN 33-U/UK STAINLESS STEEL

Description	d1	d2	l1	h1	h4	l8	l9	A/FA/F ₂	A/FA/F ₃	Static load in kN	⚖️
GN 33-80-M20-200-B1-*	80	M 20	200	20	35	30	70	15	10	19	670
GN 33-80-M24-100-B1-*	80	M 24	100	20	38	30	70	19	12	19	767
GN 33-80-M24-125-B1-*	80	M 24	125	20	38	30	70	19	12	19	700
GN 33-80-M24-150-B1-*	80	M 24	150	20	38	30	70	19	12	19	760
GN 33-80-M24-200-B1-*	80	M 24	200	20	38	30	70	19	12	19	931
GN 33-100-M16-75-B1-*	100	M 16	75	21	35	30	80	12	8	17	515
GN 33-100-M16-100-B1-*	100	M 16	100	21	35	30	80	12	8	17	550
GN 33-100-M16-125-B1-*	100	M 16	125	21	35	30	80	12	8	17	577
GN 33-100-M16-150-B1-*	100	M 16	150	21	35	30	80	12	8	17	608
GN 33-100-M16-200-B1-*	100	M 16	200	21	35	30	80	12	8	17	860
GN 33-100-M20-75-B1-*	100	M 20	75	21	36	30	80	15	10	17	453
GN 33-100-M20-100-B1-*	100	M 20	100	21	36	30	80	15	10	17	620
GN 33-100-M20-125-B1-*	100	M 20	125	21	36	30	80	15	10	17	680
GN 33-100-M20-150-B1-*	100	M 20	150	21	36	30	80	15	10	17	740
GN 33-100-M20-200-B1-*	100	M 20	200	21	36	30	80	15	10	17	850
GN 33-100-M24-100-B1-*	100	M 24	100	21	39	30	80	19	12	17	740
GN 33-100-M24-125-B1-*	100	M 24	125	21	39	30	80	19	12	17	823
GN 33-100-M24-150-B1-*	100	M 24	150	21	39	30	80	19	12	17	885
GN 33-100-M24-200-B1-*	100	M 24	200	21	39	30	80	19	12	17	950

Weight Version U





* Complete with version of Levelling feet (External hexagon socket on the top/Wrench flat at the bottom)

V without nut
VK with nut

GN 33-V/VK

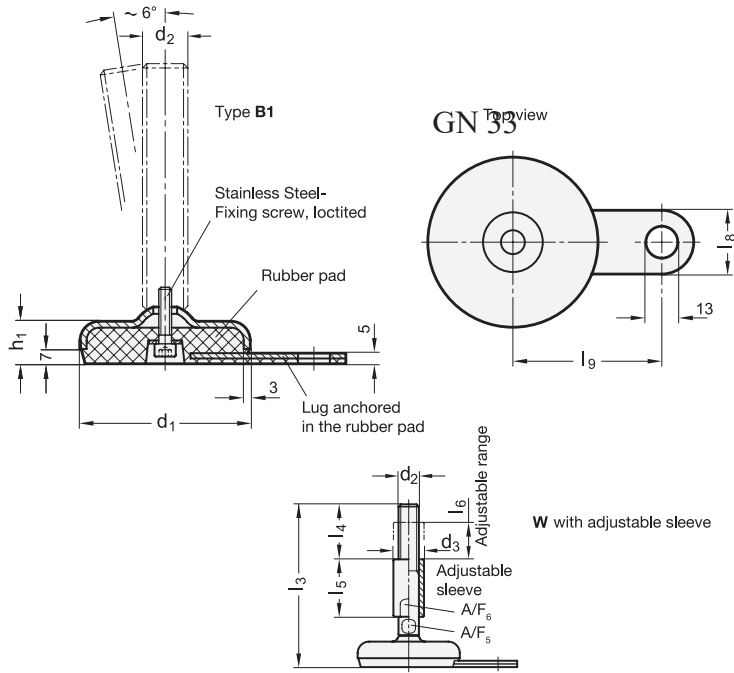
STAINLESS STEEL

Description	d1	d2	l2	h1	h5	l8	l9	A/F 4	A/F 5	Static load in kN	⚖️
GN 33-60-M16-75-B1-*	60	M 16	75	19	30	25	50	10	12	27	328
GN 33-60-M16-100-B1-*	60	M 16	100	19	30	25	50	10	12	27	360
GN 33-60-M16-125-B1-*	60	M 16	125	19	30	25	50	10	12	27	392
GN 33-60-M16-150-B1-*	60	M 16	150	19	30	25	50	10	12	27	425
GN 33-80-M16-75-B1-*	80	M 16	75	20	31	30	70	10	12	24	427
GN 33-80-M16-100-B1-*	80	M 16	100	20	31	30	70	10	12	24	430
GN 33-80-M16-125-B1-*	80	M 16	125	20	31	30	70	10	12	24	462
GN 33-80-M16-150-B1-*	80	M 16	150	20	31	30	70	10	12	24	480
GN 33-80-M20-100-B1-*	80	M 20	100	20	32	30	70	13	16	24	587
GN 33-80-M20-125-B1-*	80	M 20	125	20	32	30	70	13	16	24	638
GN 33-80-M20-150-B1-*	80	M 20	150	20	32	30	70	13	16	24	690
GN 33-80-M20-200-B1-*	80	M 20	200	20	32	30	70	13	16	24	795
GN 33-80-M24-100-B1-*	80	M 24	100	20	35	30	70	17	20	24	645
GN 33-80-M24-150-B1-*	80	M 24	150	20	35	30	70	17	20	24	793
GN 33-80-M24-200-B1-*	80	M 24	200	20	35	30	70	17	20	24	939
GN 33-100-M16-75-B1-*	100	M 16	75	21	32	30	80	10	12	21	530
GN 33-100-M16-100-B1-*	100	M 16	100	21	32	30	80	10	12	21	689
GN 33-100-M16-125-B1-*	100	M 16	125	21	32	30	80	10	12	21	721
GN 33-100-M16-150-B1-*	100	M 16	150	21	32	30	80	10	12	21	790
GN 33-100-M20-100-B1-*	100	M 20	100	21	33	30	80	13	16	21	800
GN 33-100-M20-125-B1-*	100	M 20	125	21	33	30	80	13	16	21	802
GN 33-100-M20-150-B1-*	100	M 20	150	21	33	30	80	13	16	21	820
GN 33-100-M20-200-B1-*	100	M 20	200	21	33	30	80	13	16	21	850
GN 33-100-M24-100-B1-*	100	M 24	100	21	36	30	80	17	20	21	854
GN 33-100-M24-150-B1-*	100	M 24	150	21	36	30	80	17	20	21	1002
GN 33-100-M24-200-B1-*	100	M 24	200	21	36	30	80	17	20	21	1148

Weight Version V



Levelling elements 11



GN 33-W

STAINLESS STEEL

Description	d1	d2	d3	l3	h1	l4	l5	l6	l8	l9	A/F 5	A/F 6	Static load in kN	⚖️
GN 33-60-M16-126-B1-W	60	M 16	24	126	19	45	45	29	25	50	12	20	27	380
GN 33-60-M16-151-B1-W	60	M 16	24	151	19	45	45	29	25	50	12	20	27	392
GN 33-60-M16-176-B1-W	60	M 16	24	176	19	45	45	29	25	50	12	20	27	512
GN 33-60-M16-201-B1-W	60	M 16	24	201	19	45	45	29	25	50	12	20	27	500
GN 33-80-M16-127-B1-W	80	M 16	24	127	20	45	45	29	30	70	12	20	24	620
GN 33-80-M16-152-B1-W	80	M 16	24	152	20	45	45	29	30	70	12	20	24	645
GN 33-80-M16-177-B1-W	80	M 16	24	177	20	45	45	29	30	70	12	20	24	690
GN 33-80-M16-202-B1-W	80	M 16	24	202	20	45	45	29	30	70	12	20	24	699
GN 33-80-M20-151-B1-W	80	M 20	30	151	20	56	56	36	30	70	16	24	24	700
GN 33-80-M20-176-B1-W	80	M 20	30	176	20	56	56	36	30	70	16	24	24	898
GN 33-80-M20-201-B1-W	80	M 20	30	201	20	56	56	36	30	70	16	24	24	961
GN 33-80-M20-251-B1-W	80	M 20	30	251	20	56	56	36	30	70	16	24	24	1085
GN 33-80-M24-176-B1-W	80	M 24	35	176	20	67	67	42	30	70	20	30	24	1074
GN 33-80-M24-226-B1-W	80	M 24	35	226	20	67	67	42	30	70	20	30	24	1300
GN 33-80-M24-276-B1-W	80	M 24	35	276	20	67	67	42	30	70	20	30	24	1431
GN 33-100-M16-128-B1-W	100	M 16	24	128	21	45	45	29	30	80	12	20	21	640
GN 33-100-M16-153-B1-W	100	M 16	24	153	21	45	45	29	30	80	12	20	21	680
GN 33-100-M16-178-B1-W	100	M 16	24	178	21	45	45	29	30	80	12	20	21	720
GN 33-100-M16-203-B1-W	100	M 16	24	203	21	45	45	29	30	80	12	20	21	900
GN 33-100-M20-152-B1-W	100	M 20	30	152	21	56	56	36	30	80	16	24	21	864
GN 33-100-M20-177-B1-W	100	M 20	30	177	21	56	56	36	30	80	16	24	21	1062
GN 33-100-M20-202-B1-W	100	M 20	30	202	21	56	56	36	30	80	16	24	21	1125
GN 33-100-M20-252-B1-W	100	M 20	30	252	21	56	56	36	30	80	16	24	21	1249
GN 33-100-M24-177-B1-W	100	M 24	35	177	21	67	67	42	30	80	20	30	21	1000
GN 33-100-M24-227-B1-W	100	M 24	35	227	21	67	67	42	30	80	20	30	21	1100
GN 33-100-M24-277-B1-W	100	M 24	35	277	21	67	67	42	30	80	20	30	21	1640

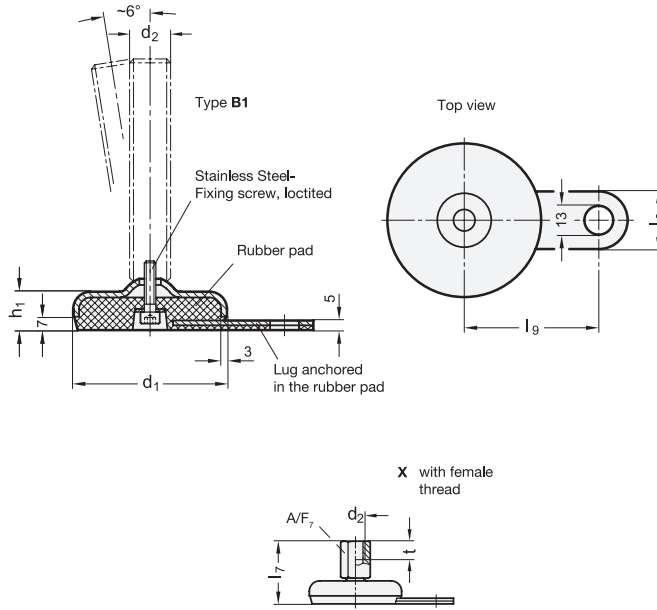


Levelling elements 11



Levelling elements 11

GN 33



GN 33-X

STAINLESS STEEL

Description	d1	d2	l7	h1	l8	l9	A/F 7	t	Static load in kN	⚖
GN 33-50-M8-40-B1-X	50	M 8	40	18	25	45	14	8	8	181
GN 33-50-M10-43-B1-X	50	M 10	43	18	25	45	14	10	13	181
GN 33-50-M12-47-B1-X	50	M 12	47	18	25	45	17	12	20	196
GN 33-50-M16-52-B1-X	50	M 16	52	18	25	45	22	16	28	251
GN 33-60-M8-41-B1-X	60	M 8	41	19	25	50	14	8	8	229
GN 33-60-M10-44-B1-X	60	M 10	44	19	25	50	14	10	13	250
GN 33-60-M12-48-B1-X	60	M 12	48	19	25	50	17	12	20	265
GN 33-60-M16-53-B1-X	60	M 16	53	19	25	50	22	16	28	300
GN 33-80-M8-42-B1-X	80	M 8	42	20	30	70	14	8	8	320
GN 33-80-M10-45-B1-X	80	M 10	45	20	30	70	14	10	13	320
GN 33-80-M12-49-B1-X	80	M 12	49	20	30	70	17	12	15	335
GN 33-80-M16-54-B1-X	80	M 16	54	20	30	70	22	16	19	369
GN 33-80-M20-62-B1-X	80	M 20	62	20	30	70	27	20	19	509
GN 33-100-M8-43-B1-X	100	M 8	43	21	30	80	14	8	8	579
GN 33-100-M10-46-B1-X	100	M 10	46	21	30	80	14	10	13	579
GN 33-100-M12-50-B1-X	100	M 12	50	21	30	80	17	12	17	594
GN 33-100-M16-55-B1-X	100	M 16	55	21	30	80	22	16	17	628
GN 33-100-M20-63-B1-X	100	M 20	63	21	30	80	27	20	17	673